

PHILCO LOW-NOISE CRYSTAL-PICKUP CARTRIDGE

Special Bulletin

The unique design of the Philco low-noise crystal-pickup cartridge (Part No. 35-2671-1) provides the following features:

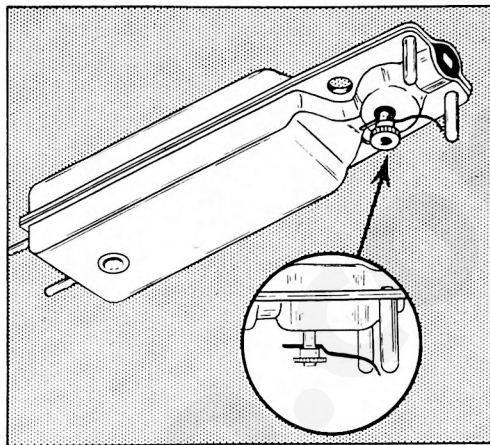
1. Extremely low surface noise.
2. Low needle talk.
3. Low needle "hiss."
4. A new type of protection for needle and record.
5. Replaceable permanent-type needle.
6. Low tracking force.
7. Good frequency response.
8. High output voltage.

This cartridge is similar to the conventional crystal cartridge except that it has a unique needle and needle holder, designed to overcome many undesirable features of the conventional cartridge.

The special replaceable needle (Part No. 35-2670), with precious-metal point, has a high vertical flexibility. This feature results in extremely low record wear and less needle talk and hiss.

It also affords the benefits and advantages of a permanent-needle cartridge, yet permits changing of the needle instead of making a costly replacement of the entire cartridge. If a force of 6 ounces or more is applied to the cartridge during the playing of a record, the needle retracts until the two rounded guard posts touch the record. This action prevents any possible damage to the record grooves.

The Philco low-noise cartridge fits in all tone arms designed for standard crystal-pickup cartridges. The



TP-5358

location of the needle point is similar to that of the standard cartridge when the standard cartridge is provided with an offset needle.

The Philco low-noise cartridge is now being used in all current Philco radio-phonographs except those designed for the Philco Dynamic Reproducer. Listed below are models in which changes from original production were made in order to accommodate the low-noise cartridge.

When replacing the needle, loosen the knurled thumb screw. Remove the worn needle and insert the new one (Part No. 35-2670) until the shoulder of the needle rests against the chuck. Tighten the thumb screw with the fingers only. Do not use pliers for tightening, or the crystal cartridge may be permanently damaged.

MODEL	CHANGES
48-1200	The plate by-pass condenser, C204, was changed from .05 mf. to .03 mf., Service Part No. 61-0119*
48-1253, Code 122	<ol style="list-style-type: none"> 1. The plate by-pass condenser, C204, was changed from .05 mf. to .03 mf., Service Part No. 61-0119*. 2. A 330,000-ohm resistor, Service Part No. 66-4333340*, was added in series with the crystal pickup, in the tone-compensating circuit.
48-1262, Code 122	The speaker was changed to Service Part No. 36-1626-1* to compensate for differences in frequency response.